



# LAUNCH AND RECOVERY SYSTEM (LARS)



## PHYSICAL DATA

Description: Launch and recovery system easily convertible to complete Wetbell System

Built: 2013

Capacity: 2 person

Paint system: NELF paint system (RAL 5015)

Length: 5,50 M

Width: 2,20 M

Weight: 7.000 Kg (including clump weight and cage)

Clump weight: 500 Kg

Basket: 600 Kg

Remote control: Basket winch, clump weight winch, A-frame

LARS Capacity: 2.000 Kg

Sea state capabilities: 2 M Significant wave height

Wind capabilities: 20 m/s

## BASKET MANRIDING WINCH

Wire diameter: 16 mm non-spin

Wire length: 70 M

Brakes: Hydraulic over-centre valve  
2x spring operated, hydraulic released disc brakes

## CLUMP WEIGHT MANRIDING WINCH

Wire diameter: 10 mm non-spin

Wire length: 150 M

Brakes: Hydraulic over-centre valve  
1x spring operated, hydraulic released disc brakes

## ELECTRICAL FIT-OUT

Input: 2x 32AMP 5P 400V female connector (Main and backup power supply)  
1x 230V CEE

Lights: 2x double fluorescent light (IP67 and impact resistant)  
1x floodlight

## MAIN AND BACKUP HYDRAULIC POWER PACK

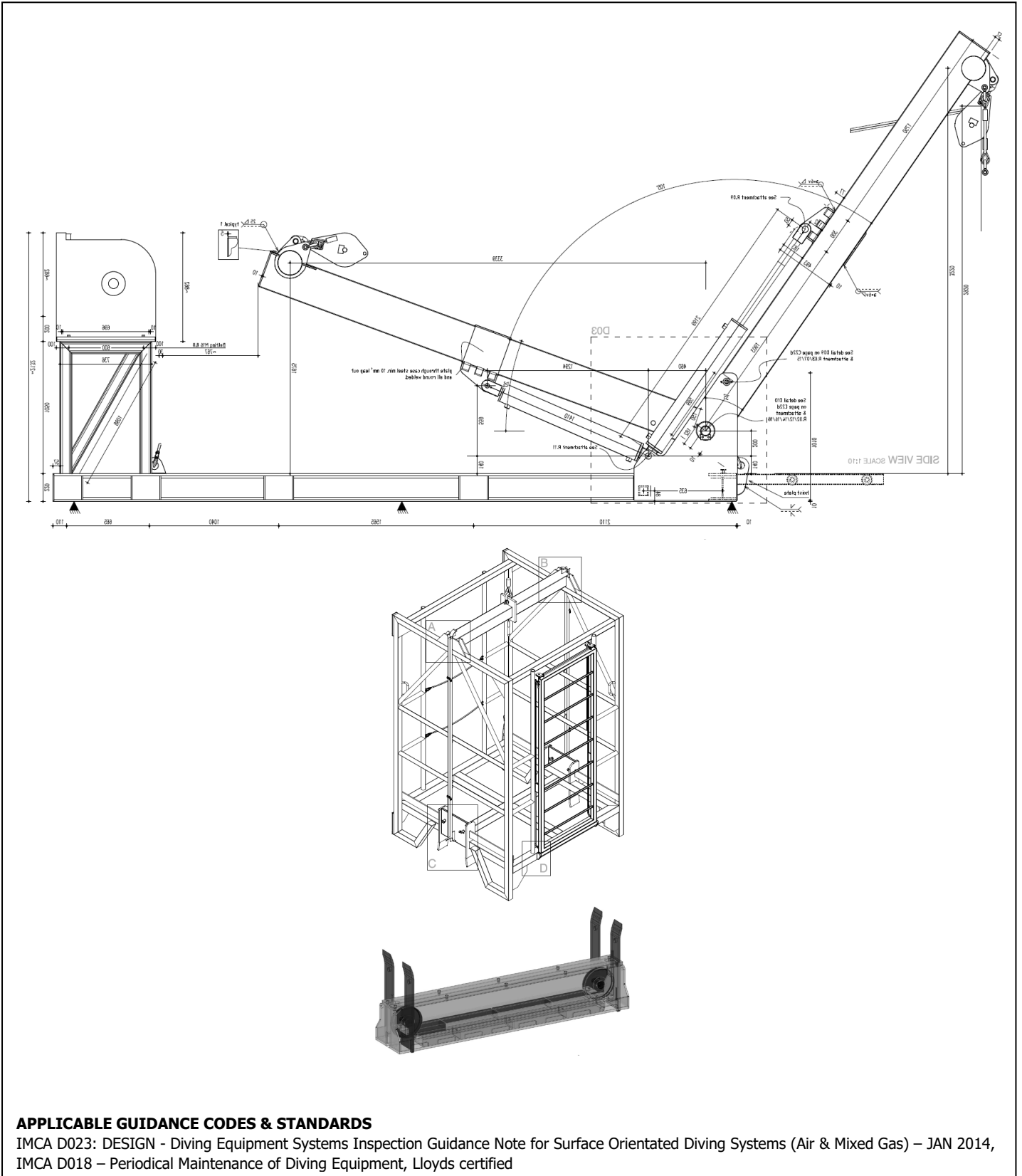
Power: 15 kW

Flow: 47 l/min @180 bar

Reservoir: 150 litre

Oil: Bio Hyd ISO VG H36

Although this leaflet has been compiled with the greatest possible care, neither DUC Marine Group nor the author accepts any liability for any incorrect information, its possible causes and possible consequences.



**APPLICABLE GUIDANCE CODES & STANDARDS**

IMCA D023: DESIGN - Diving Equipment Systems Inspection Guidance Note for Surface Orientated Diving Systems (Air & Mixed Gas) – JAN 2014, IMCA D018 – Periodical Maintenance of Diving Equipment, Lloyds certified

Although this leaflet has been compiled with the greatest possible care, neither DUC Marine Group nor the author accepts any liability for any incorrect information, its possible causes and possible consequences.